

**axis**  
JAPAN

日本の品質  
— JAPAN QUALITY —



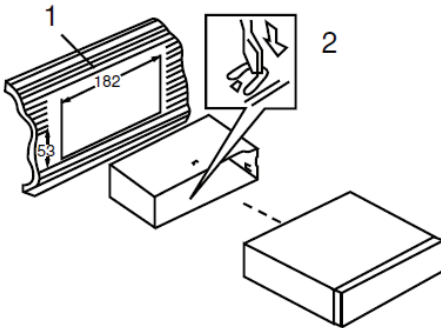
AX1801BT  
**12/24V Bluetooth Mechless  
Multimedia Player**

Version 1.2

## Installation

1. This player should be installed by a professional technician.
2. Please read this manual carefully before installing the unit.
3. Make sure to connect other wires before power connection.
4. Insulate any exposed wires to avoid damaging the unit or vehicle
5. Ensure that all connectors and wires are securely attached after installing them.
6. Please make connection to the player accordingly to this instruction manual.  
Wrong connection may cause damage.

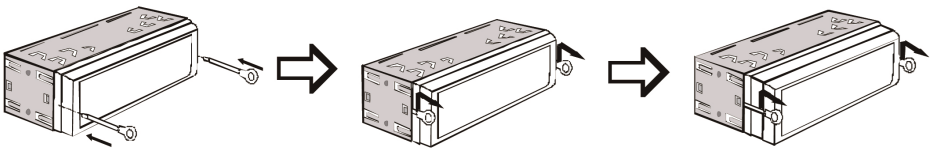
## Install the Unit



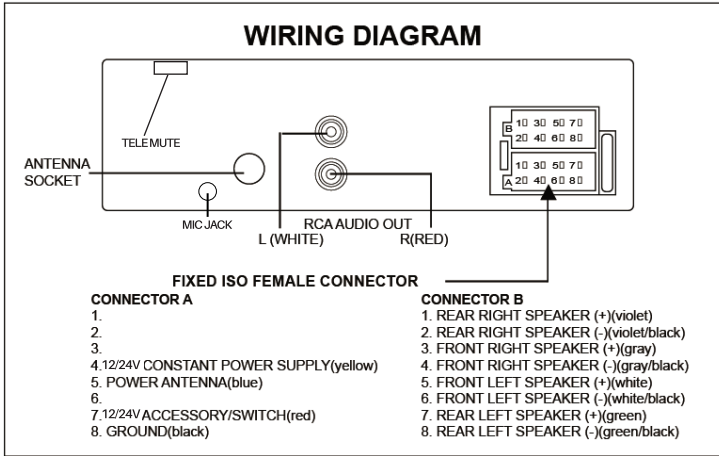
1. Dashboard
2. Sleeve tab to bend

## Remove the Unit

Insert the keys supplied on the both sides of the unit until they click. Unit will be released and slide freely from the cradle.

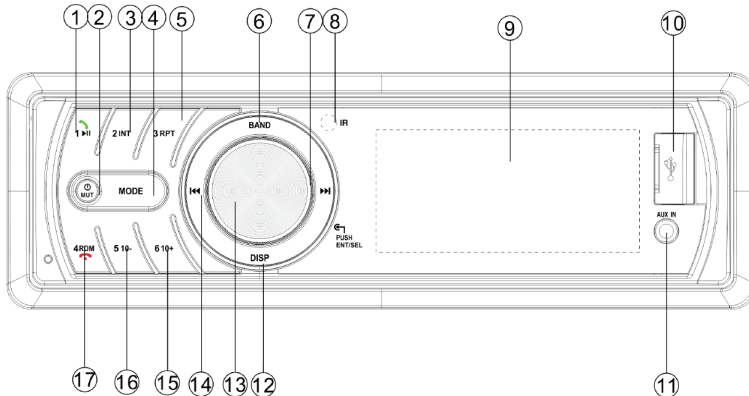


## Wiring Connection



1. Do not connect the battery terminal until the player is installed.
2. Please make sure to connect the yellow wire to the positive of the battery(+).
3. When changing the fuse. Please make sure the specifications match.
4. Using good quality speakers with 4-8 ohm will result in the best sound from the equipment.


## Location of Controls



- |   |   |  |
|---|---|--|
| <ol style="list-style-type: none"> <li>1.  MUTE</li> <li>2. </li> <li>3. 2 INT</li> <li>4. MODE</li> <li>5. 3 RPT</li> <li>6. BAND</li> </ol> | <ol style="list-style-type: none"> <li>7. </li> <li>8. IR</li> <li>9. LCD</li> <li>10. USB Interface</li> <li>11. AUX IN</li> <li>12. DISP/CLOCK</li> </ol> | <ol style="list-style-type: none"> <li>13. PUSH/ENT</li> <li>14. VOLUME/SEL</li> <li>15. 6 10+</li> <li>16. 5 10-</li> <li>17. 4RDM </li> <li>18. RESET</li> <li>19. Microphone</li> </ol> |
|---|---|--|

## Operation

### Turn on/off the unit & Mute function

Press  MUTE button to turn on the unit. When the unit is on, short press this button for mute on/off. Press and hold this button to turn off the unit.

### Sound and setting adjustment

Short press SEL button to enter the audio menu:

BASS->TRE->BAL->FAD->EQ(class/rock/pop/flat/off)->LOUD(on/off)

Press and hold SEL button for the setting menu:

CLOCK(HH)->CLOCK(MM)->CT(indep/sync)-CLOCK(24/12)->BEEP->P-VOL->AREA(AUS/USA)->DX/LOC->STEREO/MONO

In each item rotate the VOL knob to set them.

### Clock adjustment

In the CLOCK(HH)/CLOCK(MM) item of the setting menu, rotate the VOL knob to set the hour/minute.

#### CT(INDEP/SYNC):

**CT INDEP:** The clock works independently.

**CT SYNC:** The clock will be synchronized to the received RDS station's time.

Note: When the time is set manually (See above).

The CT will revert to INDEP mode automatically.

**CLOCK 24/12:** Setting the time to 24H or 12H format.

**BEEP (ON/OFF):** Turn on/off the beep sound.

**P-VOL (Preset VOL):** Setting the power on volume. If the volume at shutdown is lower than the P-VOL, next time the unit is turned on the volume will be maintained at shutdown volume. If the volume at shutdown is greater than the P-VOL, next time the unit is turned on the volume will be restored to the P-VOL value.

**AREA (AUS/USA):** To choose Australia or USA frequency.

#### DX/LOC (Distance/Local):

**LOC:** Receive strong signal stations only while seeking.

**DX:** Receive strong and weak signal stations while seeking.

#### STEREO/MONO:

**STEREO:** Receive FM stereo signal.

**MONO:** Change FM stereo to mono. It can reduce the noise when the signal is weak.

### Play music via the aux in 3.5mm jack

## Operation

Press **MODE** button to switch to AUX IN source when an audio source has been inserted to the 3.5mm jack of the unit.

### Reset the unit

Press **RESET** button to restore all the data to factory settings.

(Note: all memories will be lost.)

## RADIO OPERATION

### Receive a radio station

Press **MODE** button to select FM or AM source. Then press **BAND** button to select a band.

Short press **▶▶ / ◀◀** button to seek the next/previous radio station. Press and hold

**▶▶ / ◀◀** button to manually tune the frequency.

### Auto Store station

Press and hold **BAND** button for 2 seconds to auto store stations for numeric buttons 1-6 of band 1~3.

### Manually store station & recall preset station

Tune to a station with **◀◀** or **▶▶** button. Press and hold one of the 1- 6 preset buttons for 2 seconds, the current station is stored into the number button. Short press the preset button (1~6) to jump to the saved station for that preset.

## USB operation

When an USB drive is inserted to the unit, the unit will play the MP3/WMA file automatically. If a USB drive is already inserted in the unit, keep pressing **MODE** button until the USB mode is selected.

### Select file

Press **▶▶ / ◀◀** button to skip to next/previous file. Hold **▶▶ / ◀◀** button to fast forward or fast reverse.

### Play/Pause

Press **▶||** button to pause/play the file.

### INT function:

Press INT button to play the first 10 seconds each file. Press INT button again to cancel this function.

### RPT function:

Press **3/RPT** button to select repeat mode.

**RPT FOLD:** Repeat all files of the folder.

**RPT ONE:** Repeat the same file.

**RPT ALL:** Repeat all files (default).

### Random function:

Press **RDM** button, all files will be played randomly. Press **RDM** again to cancel this function.

## Operation

### Select a Directory

**Method 1:** Press **10+ / 10-** button to select directory up or down.



**Method 2:** Press **BAND** button for 1 time. It will show DIR SCH. Rotate VOL knob to select the desired directory to play.

### 10+ / 10- file function

Press and hold **10+ / 10-** button for 2 seconds to skip +10/-10 files to play.

### Searching files

Press **BAND** button 2 times. It will show "NUM \*\*\*\*". Enter 0~9 numbers. Then press **SEL** to confirm. It will play the song you selected.

(1~6, MODE=7, =8, =9, DISP=0, SEL =confirm, VOL=0~9)

### CAUTION



Do not insert a USB device or SD card that has important files, as the files may be lost.

## BLUETOOTH OPERATION

### PAIRING

On the mobile phone, select Bluetooth, search for the Bluetooth device. "AX1801 BT" should appear in the list, select "AX1801BT" and then input password "0000" if a password is required. When successfully paired, the BT mark will be displayed on LCD.

### Answering / rejecting an incoming call

Press  key to answer the coming call. Press  key to reject or hang up the call.

**BT VOL:** (28)->ANS(menu/auto)


**BT VOL:** The conversation volume is independent to other source volumes. You can set it to another value (default: 28). **Note:** If the volume was changed in the conversation, next time the conversation volume will be kept at this value.

### ANS (manual/auto)

**ANS=manual:** Press  key to answer the call.

**ANS=auto:** When a call is inbound, it will auto answer after 3 rings.

### Transfer the call between mobile phone and unit

During the call press  button to transfer the phone call between the phone and the unit.

## Operation

### Disconnect the Bluetooth

After the phone is paired with the unit, hold the **MODE** key to disconnect /re-connect Bluetooth.

## Specification

### GENERAL

- Fixed Face Panel
- Illuminated Controls
- 12/24 Volt DC (10 - 32V)
- Ultra Memory
- Digital Clock
- Dimensions: 178W x 50H x 96D mm (Chassis) 188W x 58H x 20D mm (Front Panel)

### MULTIMEDIA

- 1 x USB with 5V, 2A Charging (Front)
- Up to 64GB Support
- MP3, WMA, FLAC, APE, WAV Playback
- 1 x 3.5mm Aux-In (Front)

### TUNER

- PLL Synthesized AM/FM Stereo
- ELITE Tuner (FM 87.5-108 MHz; AM 522-1710 KHz)
- Interference Absorption Circuit
- 30 Station Presets (18 FM, 12 AM)
- Mono/Stereo

### AUDIO

- 4 x 45W Max Power
- EQ Presets
- Loud/Mute
- Telemute
- 4-8 Ohm Speaker Impedance
- 2CH RCA Pre-Out

### BLUETOOTH

- Version 4.2
- Hands Free
- A2DP Audio Streaming
- Internal/External Microphone



## Trouble Shooting

Before going through the checklist, check wiring connection. If any of the problems persist after trouble shooting, consult your nearest service dealer.

Symptom	Cause	Solution
No power.	The car ignition switch is not on.	If the power supply is connected to the car accessory circuits, but the engine is not moving, switch the ignition key to "ACC".
	The fuse is blown.	Replace the fuse.
No sound.	Volume is in minimum	Adjust volume to a desired level.
	Wiring is not properly connected.	Check wiring connection.
The operation keys do not work.	The built-in microcomputer is not operating properly due to noise.	Press the reset button.
The unit does not tune to a radio station. Seek up/down does not tune.	The antenna cable is not connected.	Insert the antenna cable firmly.
	The signals are too weak.	Select a station manually.
	Vehicle has an Amplified Antenna System	Find the Antenna Power Wire in the Factory Loom and Connect to Accessories Power.

## Notes

## Notes

# WARRANTY

Congratulations on your purchase of a quality Entertainment System! You're joining thousands of satisfied customers who enjoy & experience the benefits of the products we distribute. In the unlikely event that some technical difficulty arises with your purchase, be assured that we are most anxious to see that the problem is quickly rectified to your satisfaction. Please familiarise yourself with the following simple conditions of our warranty. This warranty covers faults through component failure or failure of the product to operate in accordance with published specifications. Product failure as a result of unreasonable environmental conditions, accident, misuse, improper installation, unauthorised repair, vehicle electrical or wiring faults or neglect etc, will not be covered by this warranty. Removal and installation costs, if any, would be paid by the owner as well as any freight or postage costs of transporting the product to AUTOBACS AUSTRALIA PTY LTD and shall not be liable or responsible for any loss of use of this product or any form of consequential loss.

## CONSUMER WARRANTY

This product is warranted by AUTOBACS AUSTRALIA PTY LTD to be free from defects in materials and workmanship under **NORMAL USE** for a period of **TWENTY FOUR MONTHS** from the date of purchase.

### WITHIN 30 DAYS OF PURCHASE DATE:

Please return the unit for replacement to our National Service Centre or the Retailer from where you made the purchase. All accessories must be included. Proof of purchase date **must** accompany the products.

### AFTER 30 DAYS OF PURCHASE DATE:

Warranty repair and service is carried out by our National Service Centre. Repair and service will be carried out at no cost to the owner if proof of ownership and the date of purchase can be verified to the satisfaction of the authorised centre concerned with this repair. This proof should take the form of either:

- The warranty card accompanying this product, stamped and dated by the dealer.
- A Tax Invoice or Receipt showing full details of original vendor, purchaser, model number and serial number.

## COMMERCIAL WARRANTY

A product used in or associated with a commercial application will carry a limited TWELVE MONTHS warranty. An abnormal commercial application is one where usage, dust, vibration, heat/cold and other environmental conditions exist at an extreme level.

Our goods come with guarantees that cannot be excluded under the Australian Consumer Law. You are entitled to a replacement or refund for a major failure and for compensation for any other reasonably foreseeable loss or damage. You are also entitled to have the goods repaired or replaced if the goods fail to be of acceptable quality and the failure does not amount to a major failure.

**Purchaser's Name:** \_\_\_\_\_

**Purchaser's Address:** \_\_\_\_\_  
\_\_\_\_\_

**Model Number:** \_\_\_\_\_ **Serial Number:** \_\_\_\_\_

**Dealer Name:** \_\_\_\_\_ **Date of Purchase:**     /     /

**Dealer Address:** \_\_\_\_\_

**Invoice/Sales Docket no:** \_\_\_\_\_

General Hints: To expedite service and prompt return of the equipment, please:

- Clearly describe the fault in detail
- Safely and securely pack the unit for transport
- Include your return address
- Provide proof of purchase date as outlined above

**National Service Contacts:**  
**AUTOBACS AUSTRALIA PTY LTD**  
Telephone: 1300 288 029  
email: services@autobacs.com.au

