

axis
JAPAN

日本の品質
— JAPAN QUALITY —



AX1805BT
12/24V 3" LCD
MULTIMEDIA RECEIVER

Version 1.2

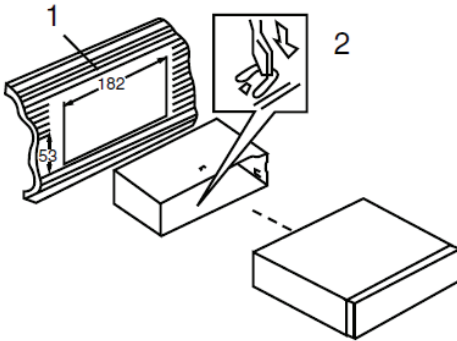
Installation

Please read these instructions carefully before operating the unit

PRECAUTIONS

1. This player should be installed by a professional technician.
2. Please read instructions carefully before installing.
3. Please ensure all wires are connected before powering unit on.
4. To avoid short circuit, please ensure all exposed wires are insulated.
5. Please secure all wires after installation.
6. Please ensure connections made are as per directions in this instruction manual. Wrong connection may cause damage to the unit.
7. Please connect the wires correctly. Incorrect wiring will cause a malfunction or damage the electrical system.

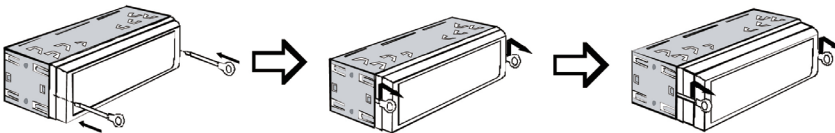
INSTALLING THE UNIT



1. Dashboard
2. Sleeve tab to bend

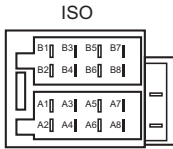
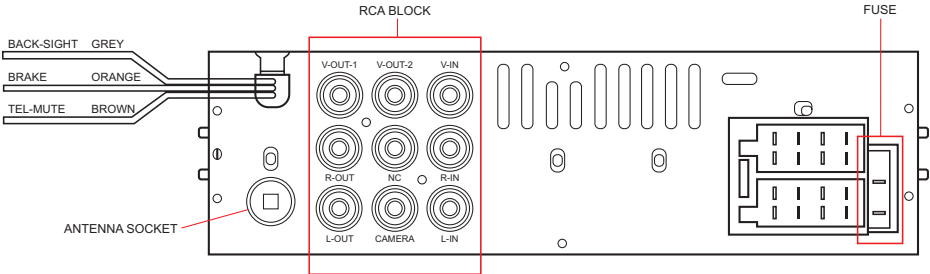
REMOVING THE UNIT

Insert the keys supplied into both sides of the unit until they click. Pull the keys to remove the unit from the dashboard.



Installation

WIRING CONNECTION



NO		NO	
A1		B1	REAR-R SPEAKER +
A2		B2	REAR-R SPEAKER -
A3		B3	FRONT-R SPEAKER +
A4	POWER+	B4	FRONT-R SPEAKER -
* A5	ANTENNA	B5	FRONT-L SPEAKER +
A6		B6	FRONT-L SPEAKER -
A7	ACC	B7	REAR-L SPEAKER +
A8	GROUND	B8	REAR-L SPEAKER -

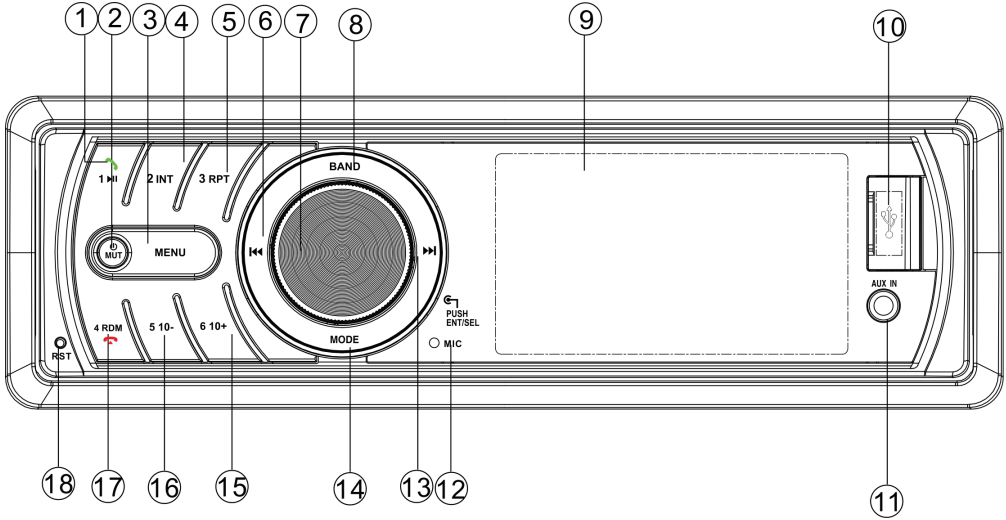
*Optional

Name	Colour	Description
* Back Sight	Grey	Displays reverse camera. Connect to reverse lamp positive.
* Brake	Orange	Displays movies. Connect to hand brake negative.
* Tele-Mute	Brown	Mutes audio input. Connect to Tele-Mute on UHF/VHF CB.

1. Do not connect the terminals of the battery until the player is installed.
2. Please connect the yellow wire to the positive of the battery (+).
3. When changing the fuse, ensure the new fuse specification is the same as the current.

OPERATION

LOCATION OF KEYS



- | | |
|-------------------------------|------------------------------|
| 1. 1 ▶ | 11. AUX IN |
| 2. MUTE/POWER ON/OFF | 12. MIC |
| 3. MENU | 13. ▶▶ Seek up button |
| 4. 2 INTRO | 14. MODE |
| 5. 3 REPEAT | 15. 6/10+ Seconds |
| 6. ◀◀ Seek Down Button | 16. 5/10- Seconds |
| 7. VOL/PUSH/ENT/SEL | 17. 4/RANDOM |
| 8. BAND/Video Out On/Off | 18. RESET |
| 9. TFT SCREEN | |
| 10. USB | |

OPERATION

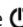
Key functions

KEYS	ACTION	RADIO	USB/SD	AUX	BT
POWER/ MUTE	Short	Power on / Mute on/off	Power on / Mute on/off	Power on / Mute on/off	Power on / Mute on/off
	Long	Power off	Power off	Power off	Power off
MENU	Short	Main menu	Main menu	Main menu	Main menu
	Long		file search		
MODE	Short	source change	source change	source change	source change
	Long	BT off/link	BT off/link	BT off/link	BT off/link
BAND	Short	band change	Music/Photo/Video switch		
	Long	Auto store	Video Out/3 inch display		
I<<	Short	Seek down	previous file		previous file
	Long	Manual turn down	FR		
>>I	Short	Seek up	next file		next file
	Long	Manual turn up	FF		
1/  	Short	Preset 1 recall / Answer call	Answer call / Play/Pause	Answer call	Answer call / Transfer Play/Pause
	Long	Save station to P1			
2/INT	Short	Preset 2 recall /	Reject call / INT on/off	Reject call	
	Long	Save station to P2			
3/RPT	Short	Recall preset 3	Repeat on/off		
	Long	Save station to P3			
4/RDM 	Short	Preset 4 recall / Reject call	Random on/off / Reject call	Reject call	Reject call / finish call
	Long	Save station to P4			
5/10-	Short	Preset 5 recall	-10 skip		
	Long	Save station to P5			
6/10+	Short	Preset 6 recall	+10 skip		
	Long	Save station to P6			
VOL	Rotary	Volume +/-	Volume +/-	Volume +/-	Volume +/-
SEL (push VOL)	Short	BAS/TRE/BAL/FAD/EQ /LOUD	BAS/TRE/BAL/FAD/EQ /LOUD	BAS/TRE/BAL/FAD/EQ /LOUD	BAS/TRE/BAL/FAD/EQ /LOUD
	Long	P-VOL/CT/ST/LOC	P-VOL/CT	P-VOL/CT	P-VOL/CT

OPERATION

Basic Operation

Turn on/off the unit and MUTE function

Press the  /MUT button to turn on the unit. When the unit is on. Shortly press this button for mute on/off. Press and hold it for 2 seconds to turn off the unit.

Audio setting menu adjustment

Repeatedly press **VOL** knob for the audio menu:

BAS(Bass), TRE(Treble), BAL(Balance), FAD(Fader), EQ-LOUD

Press and hold the **VOL** knob for the settings menu: P_VOL-CT(INDEP/SYNC), ST/MONO-DX/LOC

In each setting, rotate the **VOL** knob to set them.

Switch source

Shortly press the **MODE** button to change source. Also shortly press the **MENU** button and rotate the **VOL** knob to select other sources or settings, then press the **VOL** knob.

Main menu adjustment

Shortly press the **MENU** button and rotate the **VOL** knob to select SETTINGS then press the **VOL** knob. Below settings available:

Language, Radio, Area, Time, Time mode, Date, PAL/NTSC, Led Color, Video Warning, Factory default, Version

In each item rotate the **VOL** knob to set them.

Reset the unit

Press the **RESET** button to reset the unit. This should be activated for the following reasons:



- a) Some buttons do not operate.
- b) Error symbol shows on the display.

Note: if the **RESET** function is activated, all memory will be lost.

There is a "Factory default" setting in the settings menu. This will also reset the settings.

Radio Operation



Receive a radio station

In RADIO source, press the **BAND** button to select the desired band. Shortly press  button to tune the desired radio station. Press and hold  button for manual tuning the frequency.

Auto Store:

Press **BAND** button for 2 seconds to auto store stations to bands 1~3.

Manually store stations & recall preset stations

Select a station with  or  button. Press and hold one of the 1- 6 preset button for 2 seconds. The current station will be stored into the preset button. Shortly press the preset button (1~6) to change to the station that is saved in the corresponding preset button.

USB Operation

When a USB drive is inserted in to the unit, the unit will play the MP3/WMA files automatically. If a USB drive is already inserted in the unit, press the **MODE** button repeatedly until the USB mode display appears.

OPERATION

Select file

Press the ►► / ◀◀ button to skip to next/previous file. Hold the ►►/◀◀ button to fast forward or fast rewind.

Play/Pause

Press the ►|| button to pause/playing the file.

INT function

Press the **INT** button to play the first 10 seconds each file. Press it again to cancel this function.

RPT function

Press the **RPT** button to select repeat mode: RPT ONE / RPT ALL (default).

Random function

Press the **RDM** button, all files will be played randomly. Press it again to cancel this function.

+10/-10 file skip

Press the **5/-10** button to skip back 10 file playing. Press the **6/+10** button to skip forward 10 file playing.

Search song

Press and hold the **MENU** button for 2 seconds. It will list all the songs on the display. Press and hold the **MENU** button for 2 seconds again. It will return to the parent directory. Using the VOL+/- button to select the desired folder/song then press the VOL knob to enter/play.

Video/Photo/Music changing

Way 1: Shortly press the **BAND** button to change between Video/Photo/Music mode.

Way 2: Press and hold the **MENU** button for 2 seconds, it will show the file search screen. Press the ◀◀ button. One of the MUSIC/VIDEO/PHOTO symbol will be active. Rotating the VOL knob to the desired symbol. Press ►► button switch to the right side. Rotating the VOL knob to select the folder /file then press the VOL knob to play.

AV IN operation

Connecting the Audio and Video signal to the RCA connectors (L-IN/R-IN/V-IN) behind the unit. Then press the **MODE** button to switch to AV IN mode. (Note: BRAKE wire needs to be connected to ground.)

AUX operation

Connect an audio signal (from a player) to the 3.5mm jack of front panel, then press the **MODE** button to switch to AUX mode.

Camera in operation

Connect the camera signal to RCA "CAMERA" connector behind the unit. The unit will switch to Camera mode, "BACK SIGHT" when wire is connected to 12/24V power.

Tele-mute operation

When "TEL-MUTE" wire is connected to ground, speakers sound will be muted. When "TEL-MUTE" wire is disconnected from ground, speaker sound will resume.

OPERATION

Bluetooth Operation

PAIRING

On your mobile phone, turn on Bluetooth and search for Bluetooth devices. "CAR-BT" should appear in the list, select "CAR-BT".

Enter the password "0000" if needed.

When successfully paired, the BT icon will be on the display.


BLUETOOTH AUDIO

Press the MODE button to switch to BT mode. Music on your mobile phone should automatically play. If not, check that the music player app on your phone is open.

Press the  key to pause/Play the song. Press the  or  button to select the next of previous song.

BT CALLING

When there is an incoming call, press the  icon to answer the call.

Press the  icon to reject or end the call.

DISCONNECT BLUETOOTH

To disconnect the bluetooth, press and hold the MODE button for 2 seconds. Repeat to re-connect.

SPECIFICATIONS

GENERAL

- 3 Inch LCD
- Fixed Face Panel
- Illuminated Controls
- 12/24 Volt DC (10 - 32V)
- Ultra Memory
- Digital Clock
- Dimensions:
178W x 50H x 98D mm (Chassis)
188W x 58H x 25D mm (Front Panel)

AUDIO

- 4 x 45W Max Power
- EQ Presets
- Loud/Mute
- Telemute
- 4-8 Ohm Speaker Impedance
- 2CH RCA Pre-Out

MULTIMEDIA

- 1 x USB Input (2A Charging) (Front)
MPEG5 Audio/Video Playback
Up to 64GB Support
- 1 x 3.5mm Aux-In (Front)
- 1 x A/V Input
- 1 x Camera Input
- 2 Video Output

TUNER

- PLL Synthesized AM/FM Stereo
- ELITE Tuner (FM 87.5-108 MHz; AM 522-1620 Khz)
- Interference Absorption Circuit
- 30 Station Presets (18 FM, 12 AM)
- Mono/Stereo

BLUETOOTH

- Hands Free
- A2DP Audio Streaming
- Internal Hands Free Microphone

INCLUDED

- ISO Wiring Harness

TROUBLE SHOOTING

GENERAL

Power Supply Requirements DC 10-32 Volts, Negative Ground.
 Chassis Dimensions 178 (W) x 98 (D) x 50 (H)

Tone Controls

- Bass (at 100 Hz) : ±10 dB
- Treble (at 10 kHz) : ±10 dB

Maximum Output Power @32V : 4 x 45 watts

Current Drain : 5 Ampere (max.)

RADIO

FM

AM

Frequency Coverage	87.5 to 108 MHz	522 to 1620 kHz
IF	10.7 MHz	450 KHz
Sensitivity	4dBμV(S/N=30dB)	36dBuV(S/N=20dB)
Stereo Separation	>25dB	N/A

TROUBLE SHOOTING

Before going through the checklist below, check the wiring connections. If any of the problems persist after going through this checklist, consult your nearest service dealer.

Symptom	Cause	Solution
No power.	The car ignition switch is not on.	If the power supply is connected to the car accessory circuit, but the engine is not running, switch the ignition key to "ACC".
	The fuse is blown.	Replace the fuse.
No sound.	Volume is at minimum/mute.	Adjust volume to a desired level.
	Wiring is not properly connected.	Check wiring connection.
No video output Operation key doesn't work	Function needs to be activated.	Long press the BAND button.
	The built in MPU is not operating properly due to noise.	Press the reset button.
The radio does not work. The radio station automatic scan does not work.	The antenna cable is not connected.	Insert the antenna cable firmly.
	The signals are too weak.	Select a station manually.
	The antenna amplifier has no power.	Connect to 12 volts.

WARRANTY

Congratulations on your purchase of a quality Entertainment System! You're joining thousands of satisfied customers who enjoy & experience the benefits of the products we distribute. In the unlikely event that some technical difficulty arises with your purchase, be assured that we are most anxious to see that the problem is quickly rectified to your satisfaction. Please familiarise yourself with the following simple conditions of our warranty. This warranty covers faults through component failure or failure of the product to operate in accordance with published specifications. Product failure as a result of unreasonable environmental conditions, accident, misuse, improper installation, unauthorised repair, vehicle electrical or wiring faults or neglect etc, will not be covered by this warranty. Removal and installation costs, if any, would be paid by the owner as well as any freight or postage costs of transporting the product to AUTOBACS AUSTRALIA PTY LTD and shall not be liable or responsible for any loss of use of this product or any form of consequential loss.

CONSUMER WARRANTY

This product is warranted by AUTOBACS AUSTRALIA PTY LTD to be free from defects in materials and workmanship under **NORMAL USE** for a period of **TWENTY FOUR MONTHS** from the date of purchase.

WITHIN 30 DAYS OF PURCHASE DATE:

Please return the unit for replacement to our National Service Centre or the Retailer from where you made the purchase. All accessories must be included. Proof of purchase date **must** accompany the products.

AFTER 30 DAYS OF PURCHASE DATE:

Warranty repair and service is carried out by our National Service Centre. Repair and service will be carried out at no cost to the owner if proof of ownership and the date of purchase can be verified to the satisfaction of the authorised centre concerned with this repair. This proof should take the form of either:

- The warranty card accompanying this product, stamped and dated by the dealer.
- A Tax Invoice or Receipt showing full details of original vendor, purchaser, model number and serial number.

COMMERCIAL WARRANTY

A product used in or associated with a commercial application will carry a limited TWELVE MONTHS warranty. An abnormal commercial application is one where usage, dust, vibration, heat/cold and other environmental conditions exist at an extreme level.

Our goods come with guarantees that cannot be excluded under the Australian Consumer Law. You are entitled to a replacement or refund for a major failure and for compensation for any other reasonably foreseeable loss or damage. You are also entitled to have the goods repaired or replaced if the goods fail to be of acceptable quality and the failure does not amount to a major failure.

Purchaser's Name: _____

Purchaser's Address: _____

Model Number: _____ **Serial Number:** _____

Dealer Name: _____ **Date of Purchase:** / /

Dealer Address: _____

Invoice/Sales Docket no: _____

General Hints: To expedite service and prompt return of the equipment, please:

- Clearly describe the fault in detail
- Safely and securely pack the unit for transport
- Include your return address
- Provide proof of purchase date as outlined above

National Service Contacts:
AUTOBACS AUSTRALIA PTY LTD
Telephone: 1300 288 029
email: services@autobacs.com.au

